

# Brownstone Townhouse

Figure 1

**1)** Insert the top trim pegs into the top most holes. Insert the rest of the trim pieces into the indentations in the order shown.

**2)** There are seven (7) different windows (figure 2). Insert the windows into the opening as show in figure 3.

**\*DO NOT** trim windows to fit. If a window does not fit it is intended for a different opening.

**3)** The front stairs sit on top of the basement stairs as shown in figure 4.

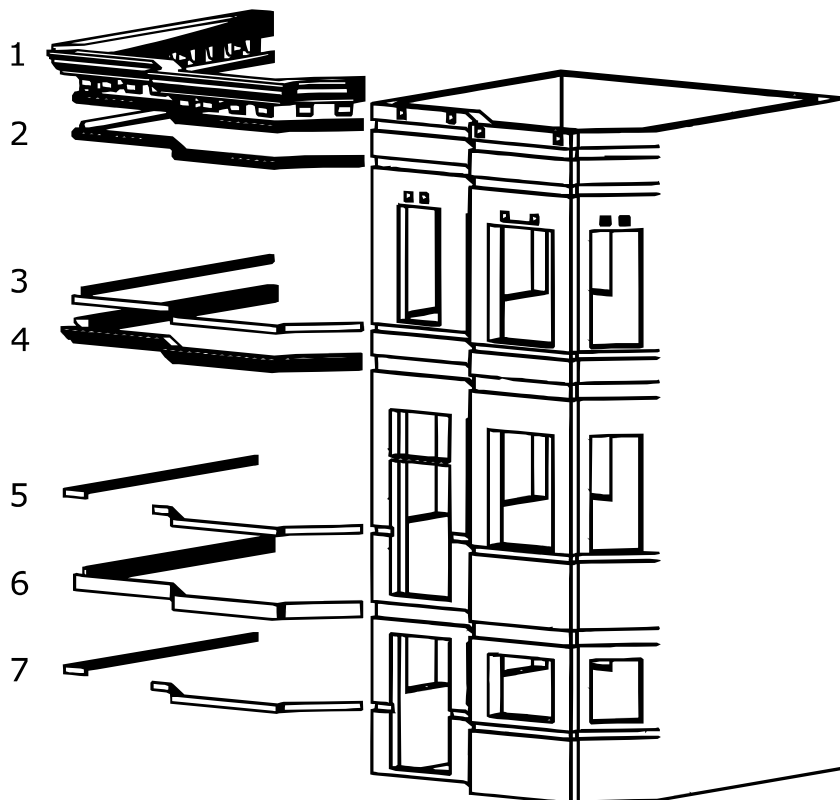


Figure 2

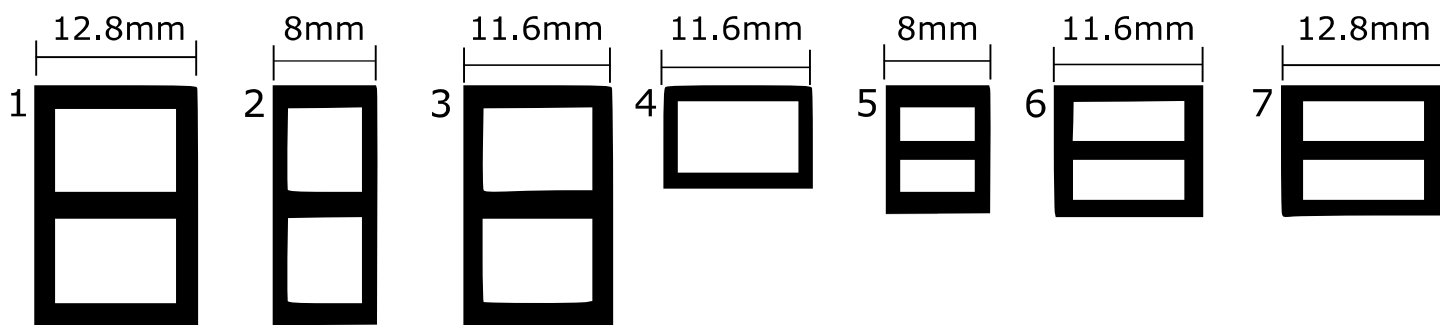


Figure 3

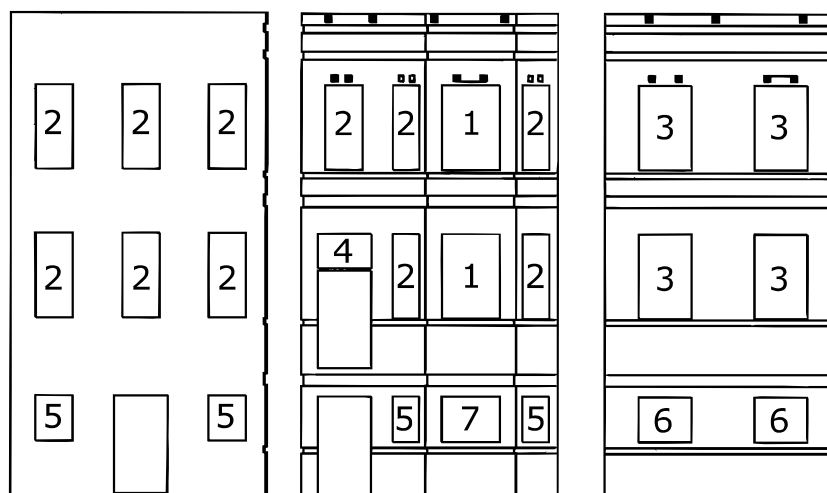


Figure 4

